

Parts catalogue

BUSH CUTTER

(EXPORT MODEL)

SH61, SH71
SH61H, SH71H

MODEL	CODE
SH61	0257-ΔΔΔΔΔ
SH71	0258-ΔΔΔΔΔ

CONTENTS

Fig.1	HANDLE-----	1
Fig.2	FRAME-----	5
Fig.3	ENGINE PARTS-----	7
Fig.4	TRANSMISSION OUTSIDE & REAR WHEEL-----	9
Fig.5	TRANSMISSION-----	11
Fig.6	KNIFE COVER-----	15
Fig.7	FRONT WHEEL & BRAKE SET-----	19

OREC CO.,LTD.

Update : December 2007

Fig. 1 HANDLE

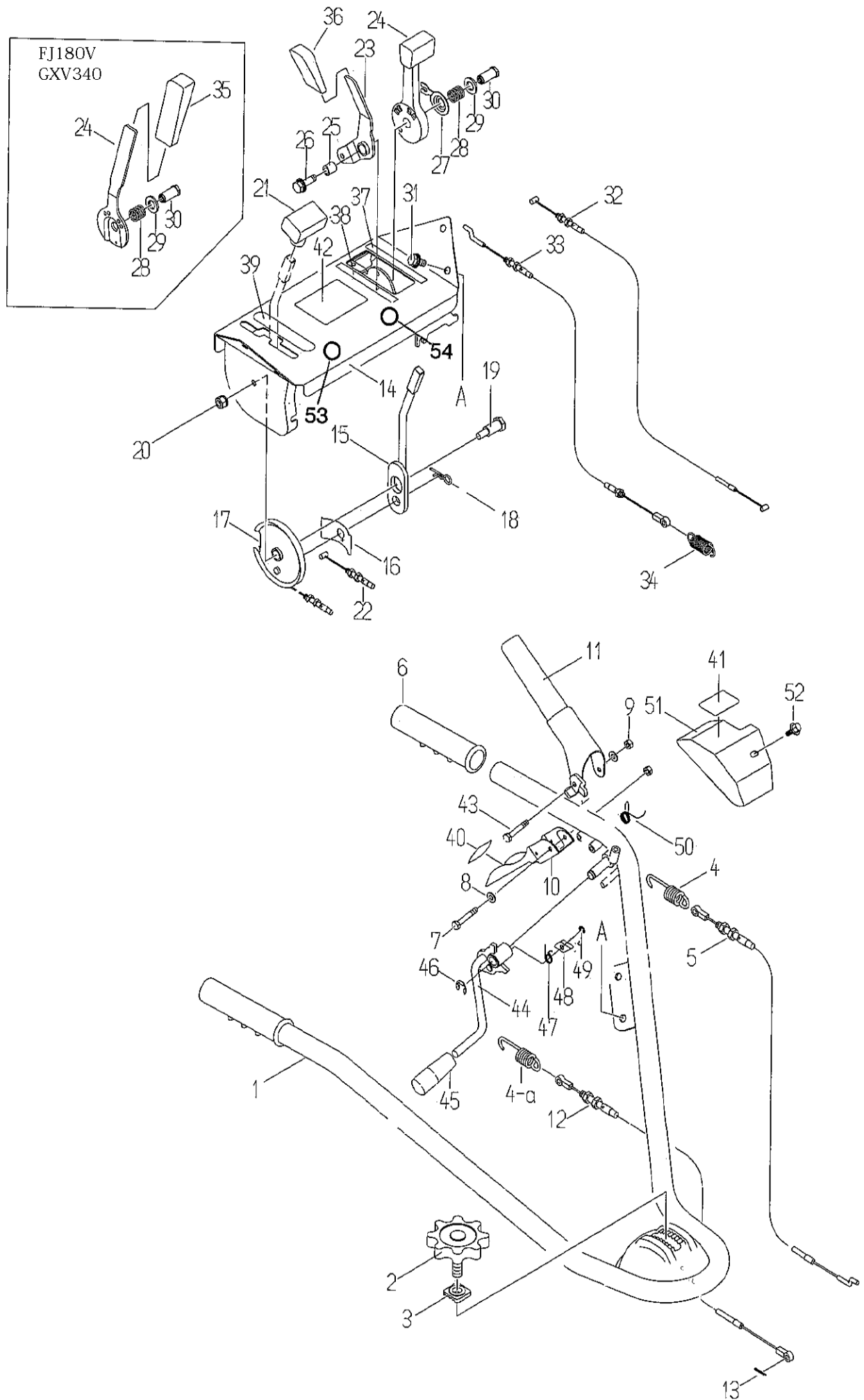


FIG. 1 Handle

Ref.	Parts No.	Parts Name	Quantity										Remarks
			SH										
			61				61H				71	71H	
			FJ	FC	GXV	GXV	FJ	FC	GXV	GXV	GXV	GXV	
180V	180V	160	340	180V	180V	160	340	340	340				
1	0257-10100	Handle	1	1	1	1	1	1	1	1	1	1	
2	80-1516-108-00	Knob Bolt	1	1	1	1	1	1	1	1	1	1	
3	80-1516-251-00	Washer	1	1	1	1	1	1	1	1	1	1	
4	80-1515-966-00	Clutch SP	1	1	1	1	1	1	1	1	1	1	
4-a	80-1417-966-00	Clutch SP	1	1	1	1	1	1	1	1	1	1	
5	0257-70100	Driving Clutch Wire	1	1	1	1	1	1	1	1	1	1	
6	83-1560-414-00	Handle Grip 27	2	2	2	2	2	2	2	2	2	2	
7	89-1111-060402	Hexagonal Bolt M6*40	1	1	1	1	1	1	1	1	1	1	
8	89-1711-060002	Washer 6	4	4	4	4	4	4	4	4	4	4	
9	89-1551-060002	U-type Nut M6	2	2	2	2	2	2	2	2	2	2	
10	80-1417-241-10	Clutch Lever	1	1	1	1	1	1	1	1	1	1	
11	80-1417-251-00	Knife Clutch Lever	1	1	1	1	1	1	1	1	1	1	
12	0257-70300	Knife Clutch Wire	1	1	1	1	1	1	1	1	1	1	
13	89-2120-200152	Split Pin 2*15	1	1	1	1	1	1	1	1	1	1	
14	80-1417-223-00	Control Panel CMP	1	1	1	1	1	1	1	1	1	1	
15	80-1417-263-00	Change Lever	1	1	1	1	1	1	1	1	1	1	
16	80-1310-268-00	Non Flap Spring	1	1	1	1	1	1	1	1	1	1	
17	80-1417-266-10	Wire Guide B	1	1	1	1	1	1	1	1	1	1	
18	89-2131-120002	Snap Pin 12	1	1	1	1	1	1	1	1	1	1	
19	80-1210-267-00	Wire Guide Axle	1	1	1	1	1	1	1	1	1	1	
20	89-1541-080002	Hexagonal Nut (SW) M8	1	1	1	1	1	1	1	1	1	1	
21	83-1417-435-00	Lever Grip (Red)	1	1	1	1	1	1	1	1	1	1	
22	83-1417-936-00	Change Wire	2	2	2	2	2	2	2	2	2	2	
23	80-1484-273-10	Differential Lock Lever	1	1	1	1	1	1	1	1	1	1	
24	80-1020-261-00	Throttle Lever (FC180V)		1				1					
	80-1020-265-00	Throttle Lever (GXV160)			1				1				
	80-1437-261-00	Throttle Lever (GXV270)	1			1	1			1	1	1	
25	80-1020-270-00	Inner Collar	1	1	1	1	1	1	1	1	1	1	
26	89-1139-080302	Hexagonal Bolt (PWSW) M8*30	1	1	1	1	1	1	1	1	1	1	
27	80-1020-264-00	Control Washer		1	1			1	1				
28	80-1020-263-00	Control Axle Spring	1	1	1	1	1	1	1	1	1	1	
29	89-1711-120003	Flat Washer 12	1	1	1	1	1	1	1	1	1	1	
30	80-1020-262-00	Control Lever Axle	1	1	1	1	1	1	1	1	1	1	
31	89-1133-080162	Hexagonal Bolt (PWSW) M8*16	4	4	4	4	4	4	4	4	4	4	
32	83-1417-951-00	Throttle Wire (FC180V)		1				1					
	0257-70600	Throttle Wire (FJ180V)	1				1						
	83-1417-952-00	Throttle Wire (GXV160)			1				1				
	83-1437-952-10	Throttle Wire (GXV270)				1				1	1	1	
33	83-1417-937-20	Differential Lock Wire	1	1	1	1	1	1	1	1	1	1	
34	80-1417-155-00	Spring	1	1	1	1	1	1	1	1	1	1	
35	80-1484-262-00	Arm Grip(red) GXV270	1			1	1			1	1	1	
36	80-1515-262-00	Arm Grip(black)	1	1	1	1	1	1	1	1	1	1	
37	80-1020-911-10	Throttle Label (K)	1	1				1	1				
	80-1020-913-10	Throttle Label (H)			1	1				1	1	1	
38	80-1417-906-10	Differential Rock Label	1	1	1	1	1	1	1	1	1	1	
39	80-1417-911-10	Label (Change)	1	1	1	1	1	1	1	1	1	1	
40	80-1417-914-10	Label(driving)	1	1	1	1	1	1	1	1	1	1	
41	80-1417-918-10	Label(Blade)	1	1	1	1	1	1	1	1	1	1	
42	0257-71100	Label	1	1	1	1	1	1	1	1			
	0258-71100	Label										1	1
43	89-1113-060552	Hexagonal Bolt (8T) M6*55	1	1	1	1	1	1	1	1	1	1	

Fig. 1 HANDLE

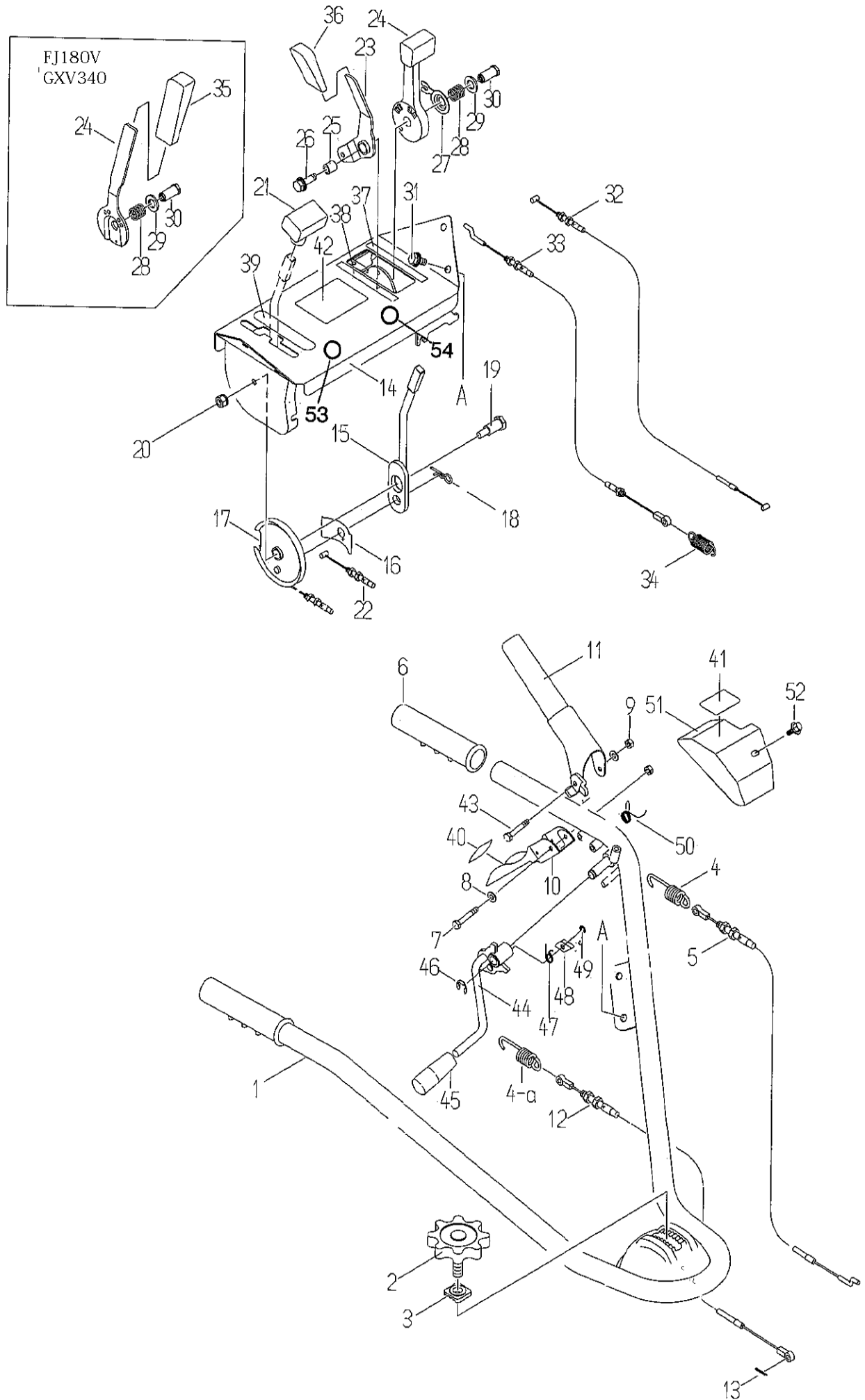


FIG. 1 Handle

Ref.	Parts No.	Parts Name	Quantity								Remarks		
			SH										
			61				61H					71	71H
			FJ	FC	GXV	GXV	FJ	FC	GXV	GXV		GXV	GXV
180V	180V	160	340	180V	180V	160	340	340	340				
44	80-1417-252-00	Blade tension lever	1	1	1	1	1	1	1	1	1		
	0231-25200	Blade tension lever	1	1	1	1	1	1	1	1	1	*1)	
45	80-1417-255-00	Lever Grip(Red) 10	1	1	1	1	1	1	1	1	1		
46	89-2521-000100	E Type Ring 10	1	1	1	1	1	1	1	1	1		
47	80-1417-972-00	Stopper return spring	1	1	1	1	1	1	1	1	1		
48	80-1417-253-00	Stopper	1	1	1	1	1	1	1	1	1		
49	89-2521-000050	E Type Ring 5	1	1	1	1	1	1	1	1	1		
50	80-1417-971-00	Blade clutch return spring	1	1	1	1	1	1	1	1	1		
51	80-1417-254-00	Upper cover	1	1	1	1	1	1	1	1	1		
52	89-1137-060122	Hexagonal Bolt (PW) M6*12	1	1	1	1	1	1	1	1	1		
53	0215-83200	Label, Protection Equipment	1	1	1	1	1	1	1	1	1		
54	0223-72910	Attention Mark for Slope	1	1	1	1	1	1	1	1	1		

*1)Interchangeable

Fig. 2 FRAME

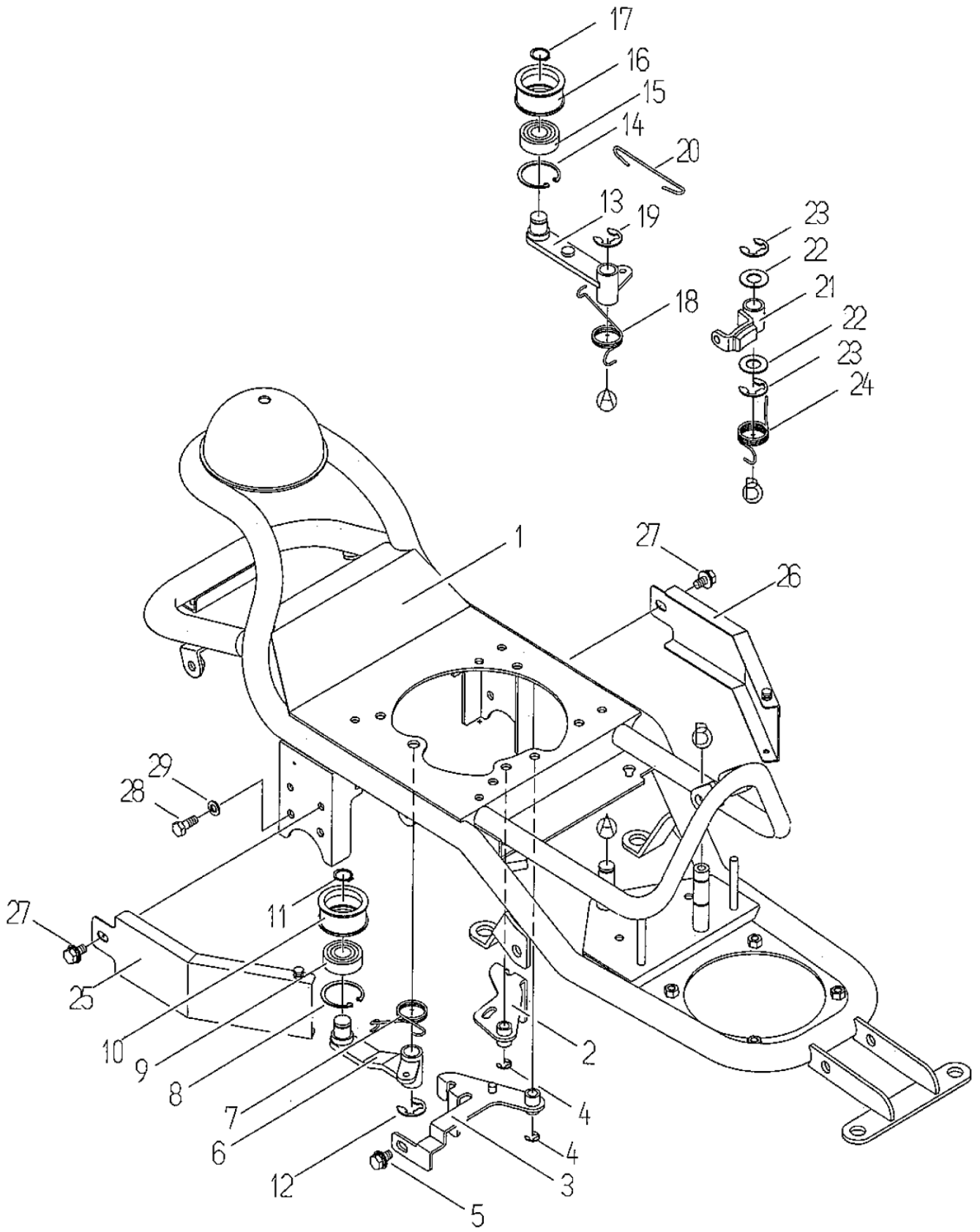


FIG. 2 Frame

Ref.	Parts No.	Parts Name	Quantity								Remarks		
			SH										
			61				61H					71	71H
			FJ	FC	GXV	GXV	FJ	FC	GXV	GXV		GXV	GXV
180V	180V	160	340	180V	180V	160	340	340	340				
1	0257-20100	Frame CMP	1	1	1	1	1	1	1	1	1		
2	0257-41300	Engine Belt Stopper A	1	1	1	1					1		
	0257-40300	Engine Belt Stopper A					1	1	1	1		1	
3	0257-41500	Engine Belt Stopper B	1	1	1	1					1		
	0257-40500	Engine Belt Stopper B					1	1	1	1		1	
4	89-2521-000080	E-Type Ring 8	2	2	2	2	2	2	2	2	2		
5	89-1133-080162	Hexagonal Bolt (PWSW) M8*16	1	1	1	1	1	1	1	1	1	1	
6	80-1417-542-00	Tension Arm	1	1	1	1	1	1	1	1	1	1	
	0231-54200	Tension Arm	1	1	1	1	1	1	1	1	1	1 *1)	
7	80-1417-552-00	Return Spring	1	1	1	1	1	1	1	1	1	1	
8	89-2512-000400	Snap Ring 40	1	1	1	1	1	1	1	1	1	1	
9	89-3115-062034	Bearing 6203 2RS	1	1	1	1	1	1	1	1	1	1	
10	83-1032-765-00	Tension Pulley	1	1	1	1	1	1	1	1	1	1	
11	89-2511-000170	Snap Ring 17	1	1	1	1	1	1	1	1	1	1	
12	89-2521-000150	E-Type Ring 15	1	1	1	1	1	1	1	1	1	1	
13	80-1417-546-20	Knife Tension Arm	1	1	1	1	1	1	1	1	1	1	
	0231-54600	Knife Tension Arm	1	1	1	1	1	1	1	1	1	1 *1)	
14	89-2512-000400	Snap Ring 40	1	1	1	1	1	1	1	1	1	1	
15	89-3115-062034	Bearing 6203 2RS	1	1	1	1	1	1	1	1	1	1	
16	83-1032-765-00	Tension Pulley	1	1	1	1	1	1	1	1	1	1	
17	89-2511-000170	Snap Ring 17	1	1	1	1	1	1	1	1	1	1	
18	80-1417-568-10	Return Spring	1	1	1	1	1	1	1	1	1	1	
19	89-2521-000150	E-Type Ring 15	1	1	1	1	1	1	1	1	1	1	
20	0257-41100	Brake Rod	1	1	1	1	1	1	1	1	1	1	
21	80-1417-371-00	Knife Brake	1	1	1	1	1	1	1	1	1	1	
	0231-37100	Knife Brake	1	1	1	1	1	1	1	1	1	1 *1)	
22	83-1020-363-00	Thrust Washer 16*24*1	2	2	2	2	2	2	2	2	2	2	
23	89-2521-000150	E-Type Ring 15	2	2	2	2	2	2	2	2	2	2	
24	80-1417-373-00	Return Spring	1	1	1	1	1	1	1	1	1	1	
25	0257-60100	Engine Pulley Cover (Right)	1	1	1	1	1	1	1	1	1	1	
26	0257-60300	Engine Pulley Cover (Left)	1	1	1	1	1	1	1	1	1	1	
27	89-1133-080162	Hexagonal Bolt (PWSW) M8*16	2	2	2	2	2	2	2	2	2	2	
28	89-1113-080162	Hexagonal Bolt (8T) M8*16	4	4	4	4	4	4	4	4	4	4	
29	89-1750-080002	Spring Washer 8	4	4	4	4	4	4	4	4	4	4	

*1)Interchangeable

Fig. 3 ENGINE PARTS

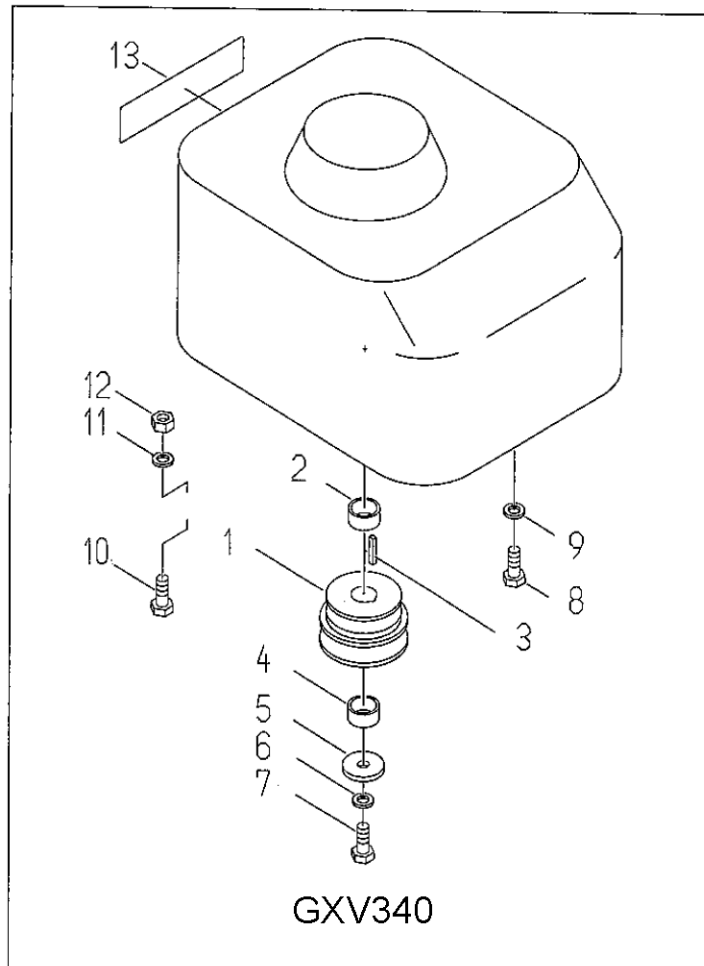
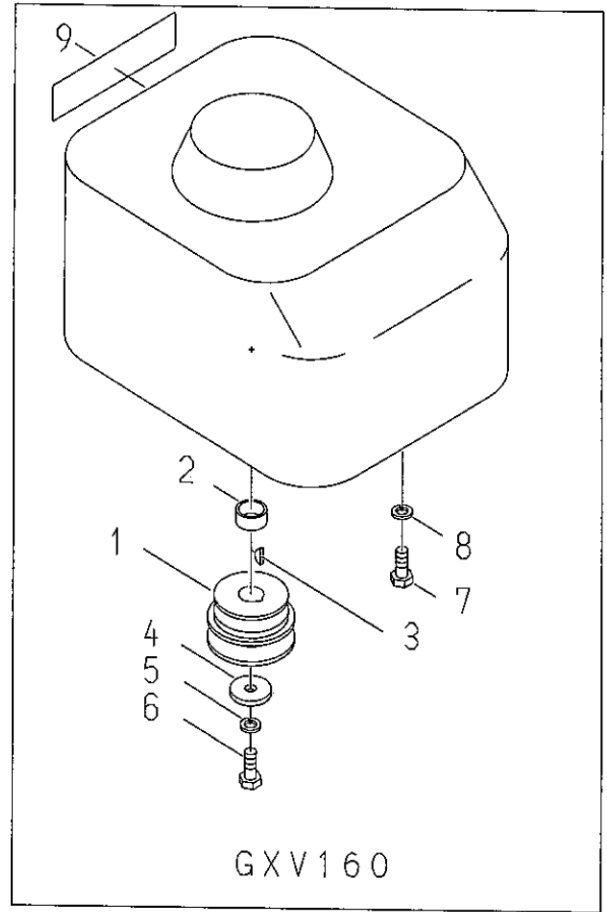
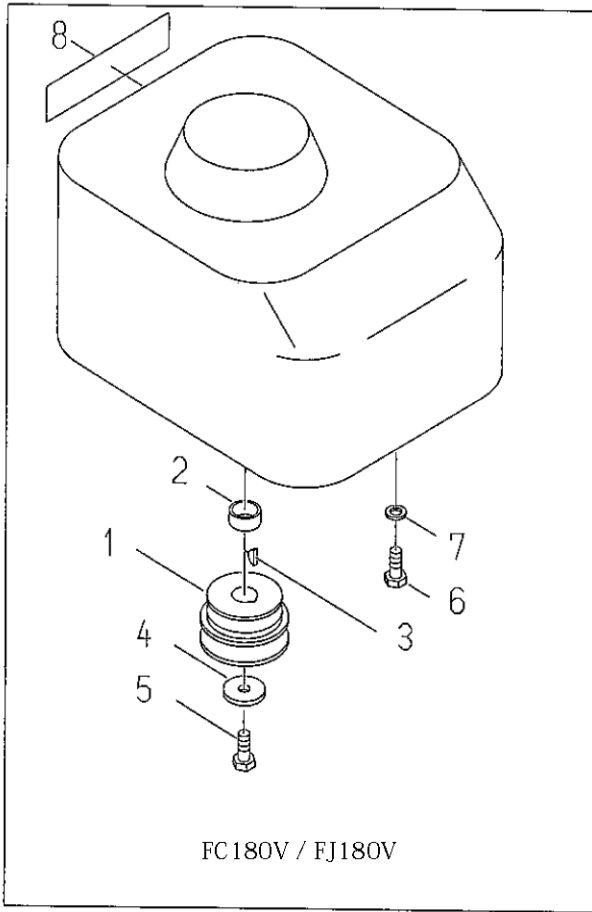


FIG. 3 Engine Parts (KAWASAKI FC180V,FJ180V)

Ref.	Parts No.	Parts Name	Quantity								Remarks		
			SH										
			61				61H					71	71H
			FJ	FC	GXV	GXV	FJ	FC	GXV	GXV		GXV	GXV
180V	180V	160	340	180V	180V	160	340	340	340				
1	80-1417-514-20	Engine Pulley	1	1									
	0257-40100	Engine Pulley					1	1					
2	80-1417-516-10	Pulley Collar (L12.5)	1	1			1	1					
3	89-2160-040160	Key 4*16	1	1			1	1					
4	83-1610-321-00	Washer 10*36*4.5	1	1			1	1					
5	83-1020-118-00	Hexagonal Bolt 3/8-24*32UNF	1	1			1	1					
6	89-1113-100252	Hexagonal Bolt (8T) M10*25	4	4			4	4					
7	89-1750-100002	Spring Washer 10	4	4			4	4					
8	Engine Parts	Sticker for Engine	1	1			1	1					

FIG. 3 Engine Parts (HONDA GXV160)

Ref.	Parts No.	Parts Name	Quantity								Remarks		
			SH										
			61				61H					71	71H
			FJ	FC	GXV	GXV	FJ	FC	GXV	GXV		GXV	GXV
180V	180V	160	340	180V	180V	160	340	340	340				
1	80-1417-515-10	Engine Pulley			1								
	0257-40200	Engine Pulley						1					
2	80-1417-517-10	Pulley Collar (L15.5)			1			1					
3	89-2160-040160	Key 4*16			1			1					
4	83-1610-321-00	Washer 10*36*4.5			1			1					
5	89-1750-100002	Spring Washer 10			1			1					
6	89-1113-100352	Hexagonal Bolt (8T) M10*35			1			1					
7	83-1482-116-00	Hexagonal Bolt UNF5/16-24*25			4			4					
8	89-1750-080002	Spring Washer 8			4			4					
9	0214-72100	Sticker for Engine			1			1					

FIG. 3 Engine Parts (HONDA GXV340)

Ref.	Parts No.	Parts Name	Quantity								Remarks		
			SH										
			61				61H					71	71H
			FJ	FC	GXV	GXV	FJ	FC	GXV	GXV		GXV	GXV
180V	180V	160	340	180V	180V	160	340	340	340				
1	80-1437-514-10	Engine Pulley				1					1		
	0258-40100	Engine Pulley								1		1	
2	80-1437-516-10	Pulley Collar (L23)				1				1	1	1	
3	83-1437-205-00	Key 1/4"*40				1				1	1	1	
4	80-1330-515-00	Pulley Collar (L13)				1				1	1	1	
5	83-1482-319-00	Washer 11*36*4.5				1				1	1	1	
6	89-1750-120002	Spring Washer 12				1				1	1	1	
7	83-1437-115-00	Hexagonal Bolt (8T) UNF7/16*35				1				1	1	1	
8	83-1482-116-00	Hexagonal Bolt UNF5/16-24*25				2				2	2	2	
9	89-1750-080002	Spring Washer 8				2				2	2	2	
10	89-1113-080402	Hexagonal Bolt (8T) M8*40				2				2	2	2	
11	89-1750-080002	Spring Washer 8				2				2	2	2	
12	89-1511-080042	Hexagonal Nut M8				2				2	2	2	
13	0214-72100	Sticker for Engine				1				1	1	1	

Fig. 4 TRANSMISSION OUTSIDE & REAR WHEEL

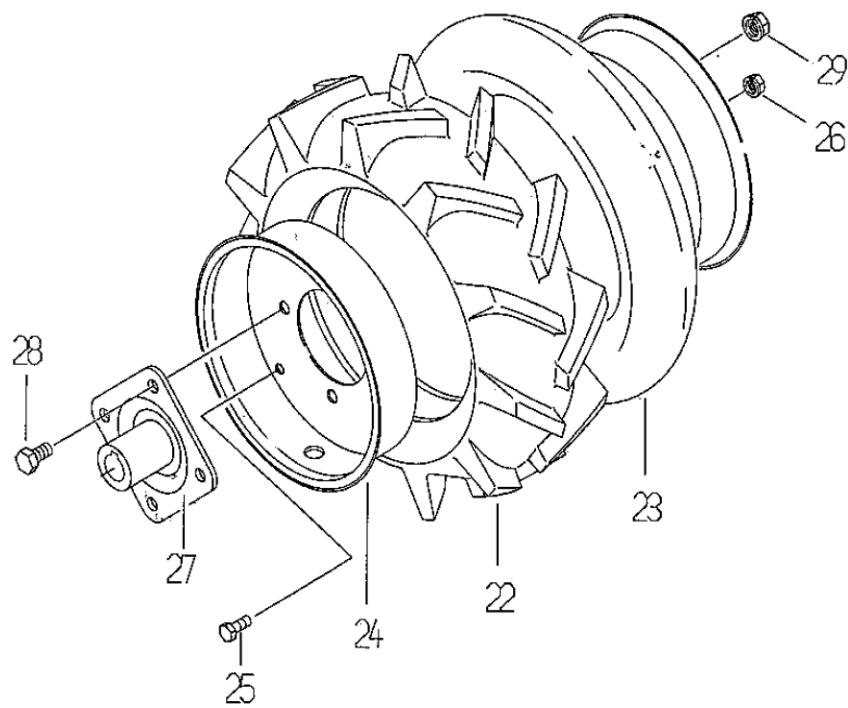
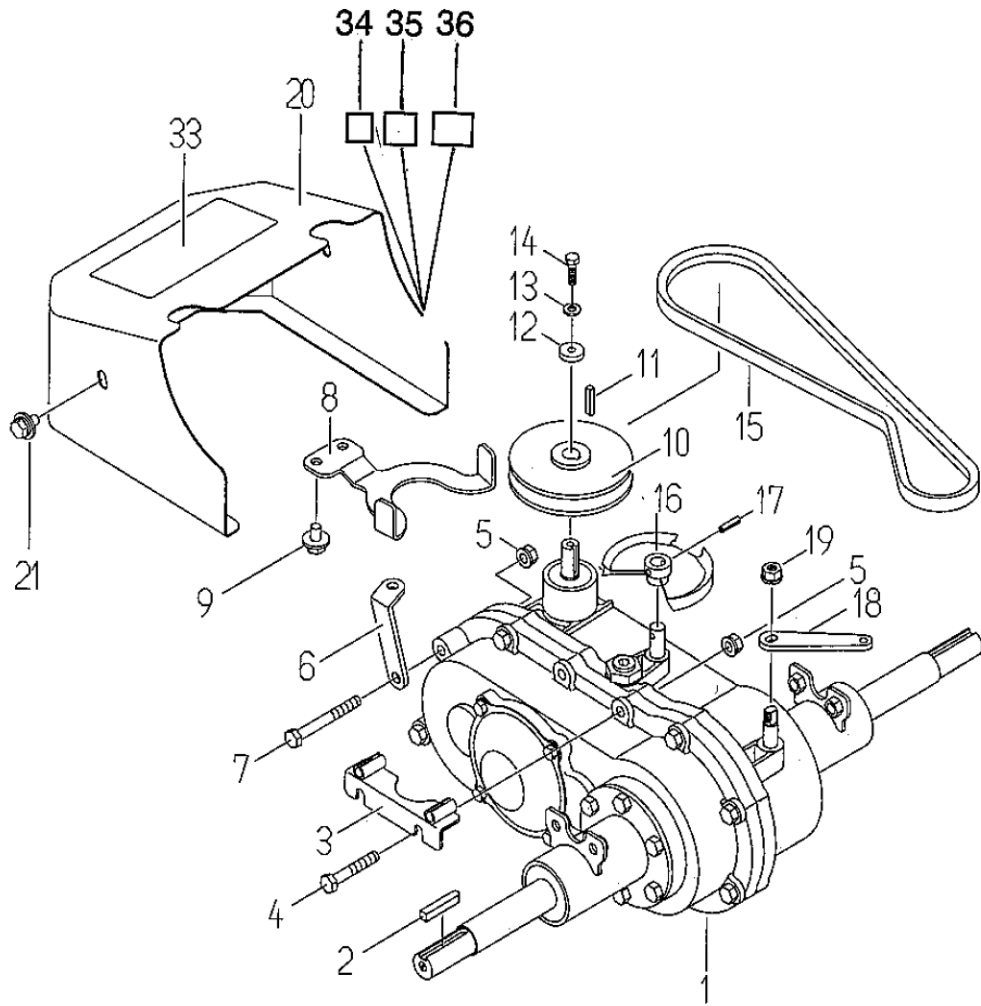


FIG. 4 Transmission Outside & Rear Wheel

Ref.	Parts No.	Parts Name	Quantity								Remarks		
			SH										
			61				61H					71	71H
			FJ	FC	GXV	GXV	FJ	FC	GXV	GXV		GXV	GXV
180V	180V	160	340	180V	180V	160	340	340	340				
1	80-1417-100-20	Transmission Case ASSY	1	1	1	1	1	1	1	1	1		
2	89-2150-070500	Key 7*50	2	2	2	2	2	2	2	2	2		
3	80-1417-195-00	Receiver for Change Wire	1	1	1	1	1	1	1	1	1		
4	89-1251-080502	Bolt M8*50	8	8	8	8	8	8	8	8	8		
5	89-1555-080002	U-Type Nut M8	12	12	12	12	12	12	12	12	12		
6	80-1417-198-00	Transmission Arm	1	1	1	1	1	1	1	1	1		
7	89-1251-080702	Bolt M8*70	1	1	1	1	1	1	1	1	1		
8	80-1417-527-10	Driving Belt Stopper	1	1	1	1	1	1	1	1	1		
9	89-1133-080162	Hexagonal Bolt (PWSW) M8*16	3	3	3	3	3	3	3	3	3		
10	80-1417-521-10	Transmission Pulley	1	1	1	1	1	1	1	1	1		
11	89-2151-050250	Key 5*25	1	1	1	1	1	1	1	1	1		
12	83-1482-311-00	Washer 6*22*3.2	1	1	1	1	1	1	1	1	1		
13	89-1750-060002	Spring Washer 6	1	1	1	1	1	1	1	1	1		
14	89-1113-060202	Hexagonal Bolt (8T) 6*20	1	1	1	1	1	1	1	1	1		
15	89-6122-003601	V Belt SA-36	1	1	1	1	1	1	1	1	1		
16	80-1417-191-00	Wire Guard A	1	1	1	1	1	1	1	1	1		
17	89-2111-050020	Spring Pin 5x20	1	1	1	1	1	1	1	1	1		
18	80-1417-153-00	Differential Lock Arm	1	1	1	1	1	1	1	1	1		
19	89-1541-080002	Hexagonal Nut (SW) M8	1	1	1	1	1	1	1	1	1		
20	80-1417-504-10	Transmission Pulley Cover	1	1	1	1	1	1	1	1	1		
21	89-1133-080162	Hexagonal Bolt (PWSW) M8*16	2	2	2	2	2	2	2	2	2		
22	80-1711-401-00	Tire (400-7)	2	2	2	2	2	2	2	2	2		
23	80-1711-404-00	Tube (400-7)	2	2	2	2	2	2	2	2	2		
24	80-1711-407-00	Wheel Assy (400-7)	2	2	2	2	2	2	2	2	2		
25	89-1111-080202	Hexagonal Bolt M8*20	8	8	8	8	8	8	8	8	8		
26	89-1541-080002	Hexagonal Nut (SW) M8	8	8	8	8	8	8	8	8	8		
27	80-1565-413-10	Wheel Boss	2	2	2	2	2	2	2				
	80-1437-413-10	Wheel Boss								2	2		
28	89-1111-100202	Hexagonal Bolt M10*20	8	8	8	8	8	8	8	8	8		
29	89-1541-100002	Hexagonal Nut (SW) M10	8	8	8	8	8	8	8	8	8		
33	0223-76100	Label, Caution (large)	1	1	1	1	1	1	1	1	1		
34	80-1010-933-00	Label, CE	1	1	1	1	1	1	1	1	1	Not for Sale	
35	80-1020-932-00	Label, Noise 100db	1	1	1	1	1	1	1	1	1	Not for Sale	
36		Serial Number	1	1	1	1	1	1	1	1	1	Not for Sale	

Fig. 5 TRANSMISSION

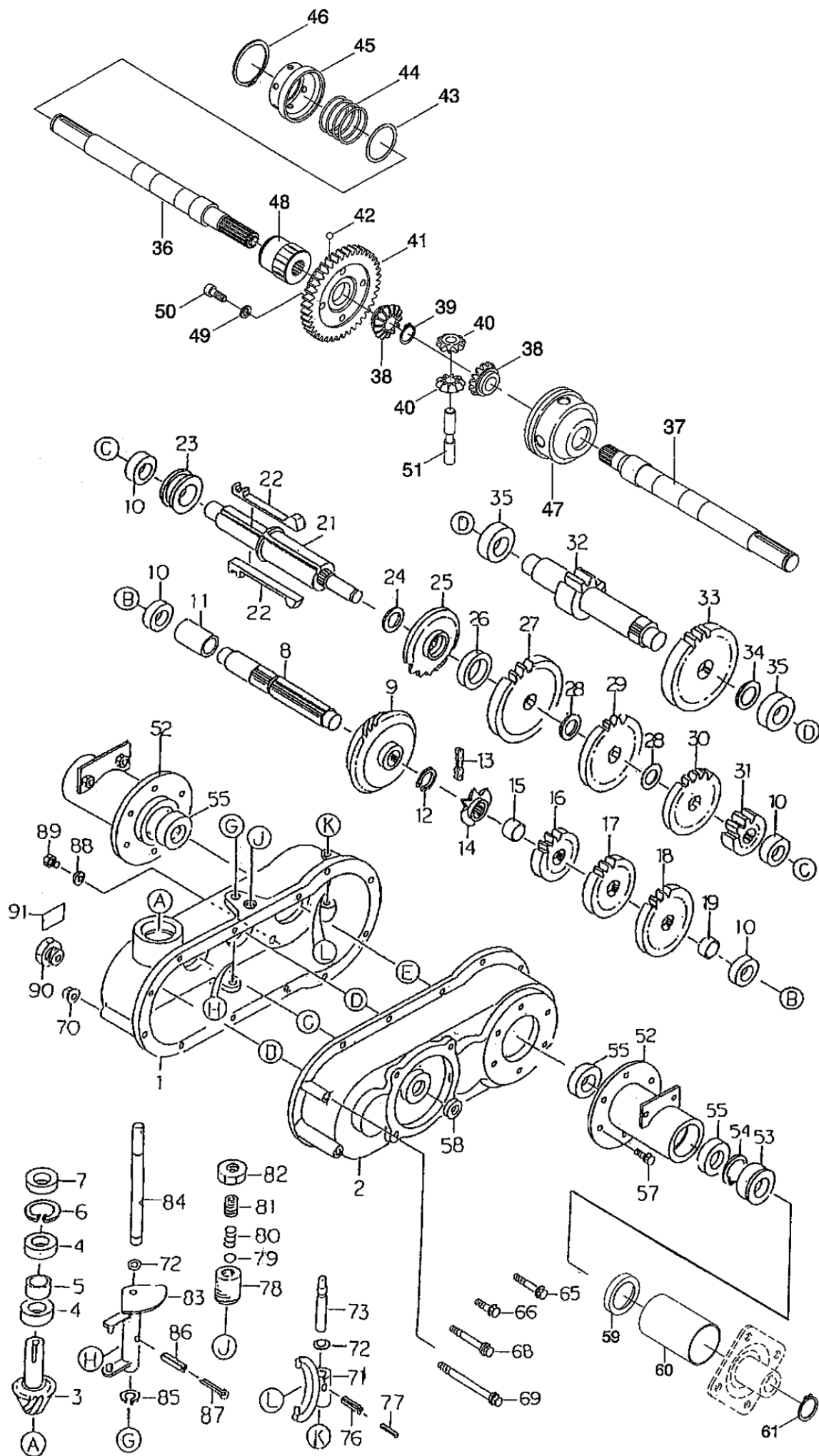


FIG. 5 Transmission

Ref.	Parts No.	Parts Name	Quantity										Remarks
			SH										
			61				61H				71	71H	
			FJ	FC	GXV	GXV	FJ	FC	GXV	GXV	GXV	GXV	
180V	180V	160	340	180V	180V	160	340	340	340				
1	80-1482-101-00	Transmission Case (Left)	1	1	1	1	1	1	1	1	1	1	
2	80-1482-103-00	Transmission Case (Right)	1	1	1	1	1	1	1	1	1	1	
3	80-1481-118-00	A Axle 15T	1	1	1	1	1	1	1	1	1	1	
4	89-3115-062024	Bearing 6202 2RS	2	2	2	2	2	2	2	2	2	2	
5	80-1482-119-00	A Axle Collar 9	1	1	1	1	1	1	1	1	1	1	
6	89-2512-000350	Snap Ring 35	1	1	1	1	1	1	1	1	1	1	
7	89-5121-153507	Oil Seal AD.15.35.7	1	1	1	1	1	1	1	1	1	1	
8	80-1482-122-00	B Axle	1	1	1	1	1	1	1	1	1	1	
9	80-1482-127-00	Bevel Gear 45T	1	1	1	1	1	1	1	1	1	1	
10	89-3111-062024	Bearing 6202	4	4	4	4	4	4	4	4	4	4	
11	80-1482-131-00	Collar 18*22*34	1	1	1	1	1	1	1	1	1	1	
12	89-2511-000170	Snap Ring 17	1	1	1	1	1	1	1	1	1	1	
13	89-6513-420024	Chain 420-24L	1	1	1	1	1	1	1	1	1	1	
14	80-1482-128-00	B Axle Sprocket 8T	1	1	1	1	1	1	1	1	1	1	
15	80-1417-129-00	Collar 18*22*16.5	1	1	1	1	1	1	1	1	1	1	
16	80-1417-123-00	B Axle Gear 20T	1	1	1	1	1	1	1	1	1	1	
17	80-1417-124-00	B Axle Gear 26T	1	1	1	1	1	1	1	1	1	1	
18	80-1481-125-00	B Axle Gear 33T	1	1	1	1	1	1	1	1	1	1	
19	80-1482-130-00	Collar 18*22*11	1	1	1	1	1	1	1	1	1	1	
21	80-1482-132-00	C Axle	1	1	1	1	1	1	1	1	1	1	
22	80-1482-113-00	Shift Key	2	2	2	2	2	2	2	2	2	2	
23	80-1481-111-00	Shift Key Holder	1	1	1	1	1	1	1	1	1	1	
24	80-1481-139-00	C Axle Washer 29*40*1.0	1	1	1	1	1	1	1	1	1	1	
25	80-1482-138-00	Sprocket 18T	1	1	1	1	1	1	1	1	1	1	
26	80-1417-136-00	C Axle Collar	1	1	1	1	1	1	1	1	1	1	
27	80-1417-137-00	C Axle Gear 45T	1	1	1	1	1	1	1	1	1	1	
28	80-1482-139-00	C Axle Thrust Washer	2	2	2	2	2	2	2	2	2	2	
29	80-1417-138-00	C Axle Gear 39T	1	1	1	1	1	1	1	1	1	1	
30	80-1417-135-00	C Axle Gear 33T	1	1	1	1	1	1	1	1	1	1	
31	80-1482-133-00	C Axle Gear 12T	1	1	1	1	1	1	1	1	1	1	
32	80-1417-142-00	D Axle	1	1	1	1	1	1	1	1	1	1	
33	80-1482-144-00	D Axle Gear 36T	1	1	1	1	1	1	1	1	1	1	
34	83-1830-368-00	Thrust Washer 18*26*1.0	1	1	1	1	1	1	1	1	1	1	
35	89-3111-062034	Bearing 6203	2	2	2	2	2	2	2	2	2	2	
36	80-1417-146-50	Axle(L)	1	1	1	1	1	1	1	1	1	1	
37	80-1417-147-60	Axle(R)	1	1	1	1	1	1	1	1	1	1	
38	80-1260-152-00	Differential Lock Gear	2	2	2	2	2	2	2	2	2	2	
39	89-2511-000200	Snap Ring 20	1	1	1	1	1	1	1	1	1	1	
40	80-1260-153-00	Pinion 10T Gear	2	2	2	2	2	2	2	2	2	2	
41	80-1417-148-00	Axle 40T Gear	1	1	1	1	1	1	1	1	1	1	
42	89-3410-075000	Steel Ball 7.5	3	3	3	3	3	3	3	3	3	3	
43	83-1830-382-00	Thrust Washer 40*48*1.0	1	1	1	1	1	1	1	1	1	1	
44	80-1417-162-00	Differential Lock SP	1	1	1	1	1	1	1	1	1	1	
45	80-1425-143-00	Differential Lock Corn	1	1	1	1	1	1	1	1	1	1	
46	89-2511-000400	Snap Ring 40	1	1	1	1	1	1	1	1	1	1	
47	80-1260-151-00	Differential Lock Case	1	1	1	1	1	1	1	1	1	1	
48	80-1417-143-10	Differential Lock Shaft	1	1	1	1	1	1	1	1	1	1	
49	89-1750-080002	Spring Washer 8	4	4	4	4	4	4	4	4	4	4	
50	83-1981-149-00	Hexagonal Bolt with Hole M8*20	4	4	4	4	4	4	4	4	4	4	
51	80-1260-155-10	Differential Pinion Shaft	1	1	1	1	1	1	1	1	1	1	
52	80-1417-156-10	Axle BB Case CMP	2	2	2	2	2	2	2	2	2	2	

Fig. 5 TRANSMISSION

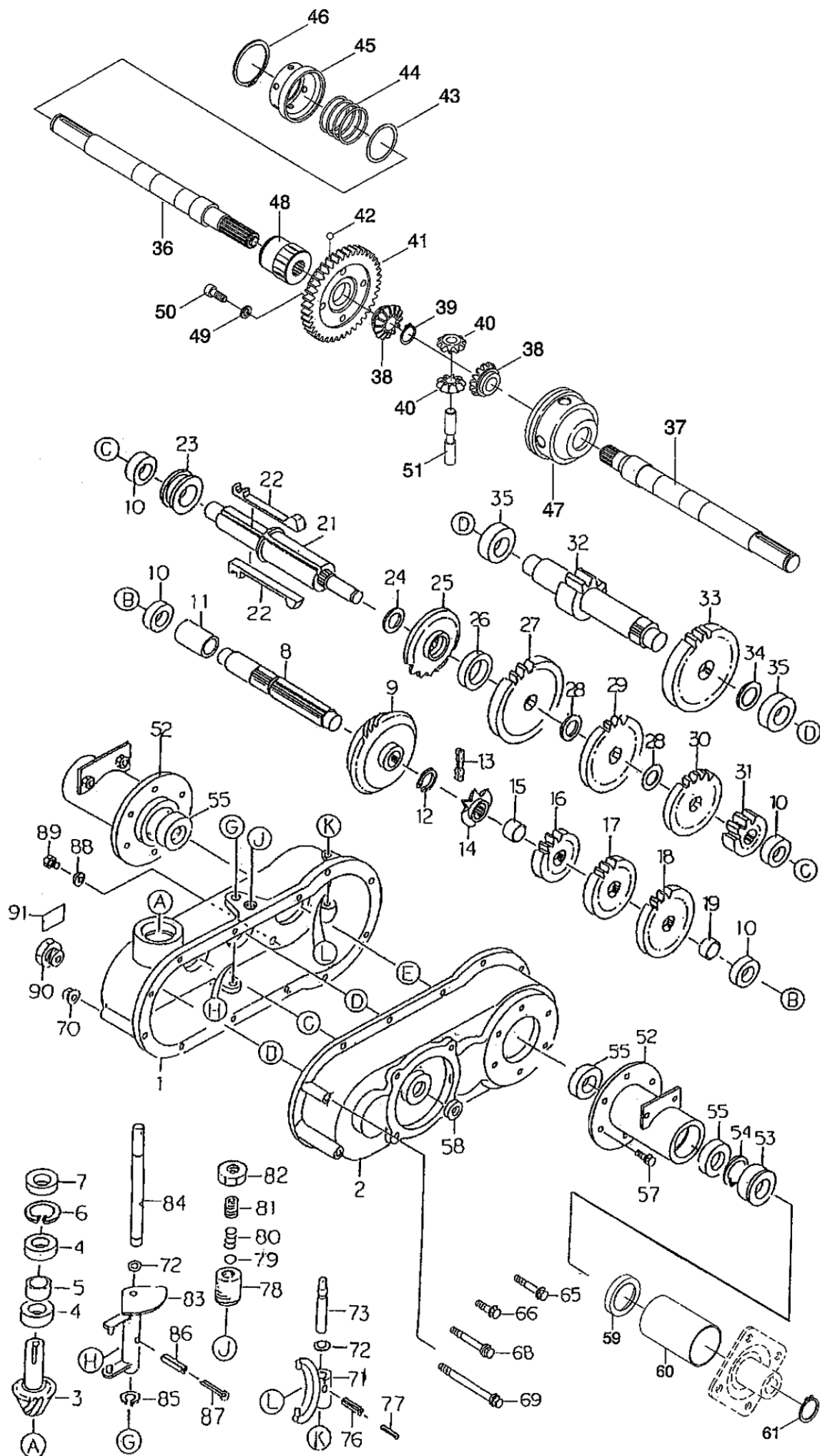


FIG. 5 Transmission

Ref.	Parts No.	Parts Name	Quantity										Remarks
			SH										
			61				61H				71	71H	
			FJ	FC	GXV	GXV	FJ	FC	GXV	GXV	GXV	GXV	
180V	180V	160	340	180V	180V	160	340	340	340				
53	83-1415-663-00	Oil Seal AP 30.47.7	2	2	2	2	2	2	2	2	2	2	
54	89-2512-000470	Snap Ring 47	2	2	2	2	2	2	2	2	2	2	
55	89-3111-060054	Bearing 6005	4	4	4	4	4	4	4	4	4	4	
57	83-1482-143-00	Hexagonal Tap Bolt M10*25	12	12	12	12	12	12	12	12	12	12	
58	89-5121-153007	Oil Seal UE 15.30.7	1	1	1	1	1	1	1	1	1	1	
59	80-1415-441-00	Dust Cover	2	2	2	2	2	2	2	2	2	2	
60	80-1417-411-00	Axle Cover Pipe	2	2	2	2	2	2	2				
	80-1437-411-00	Axle Cover Pipe									2	2	
61	89-2511-000220	Snap Ring 22	2	2	2	2	2	2	2	2	2	2	
65	89-1251-080502	Washer Bolt M8*50	8	8	8	8	8	8	8	8	8	8	
66	89-1251-080402	Washer Bolt M8*40	1	1	1	1	1	1	1	1	1	1	
68	89-1251-080702	Washer Bolt M8*70	1	1	1	1	1	1	1	1	1	1	
69	89-1251-081402	Washer Bolt M8*140	2	2	2	2	2	2	2	2	2	2	
70	89-1555-080002	U Type Nut M8	12	12	12	12	12	12	12	12	12	12	
71	80-1830-113-00	Differential Lock Fork	1	1	1	1	1	1	1	1	1	1	
72	89-5221-009000	O Type Ring P9	2	2	2	2	2	2	2	2	2	2	
73	80-1481-116-00	Differential Lock Fork Axle	1	1	1	1	1	1	1	1	1	1	
76	89-2111-050020	Spring Pin 5*20	1	1	1	1	1	1	1	1	1	1	
77	89-2111-030020	Spring Pin 3*20	1	1	1	1	1	1	1	1	1	1	
78	80-1482-162-00	Screw for Adjusting Notch	1	1	1	1	1	1	1	1	1	1	
79	89-3410-080000	Steel Ball 8	1	1	1	1	1	1	1	1	1	1	
80	80-1481-160-00	Spring 1.0	1	1	1	1	1	1	1	1	1	1	
81	89-1172-100161	Screw M10*16	1	1	1	1	1	1	1	1	1	1	
82	89-1514-160042	Hexagonal Nut (3 sort) M16	1	1	1	1	1	1	1	1	1	1	
83	80-1482-108-00	Shift Fork	1	1	1	1	1	1	1	1	1	1	
84	80-1417-110-00	Shift Fork Axle	1	1	1	1	1	1	1	1	1	1	
85	89-2511-000120	Snap Ring 12	1	1	1	1	1	1	1	1	1	1	
86	89-2111-050020	Spring Pin 5*20	1	1	1	1	1	1	1	1	1	1	
87	89-2120-300252	Split Pin 3*25	1	1	1	1	1	1	1	1	1	1	
88	89-5230-100000	Seal Washer 10	1	1	1	1	1	1	1	1	1	1	
89	89-1111-100122	Hexagonal Bolt M10*12	1	1	1	1	1	1	1	1	1	1	
90	83-1032-689-00	Oil Gauge M28	1	1	1	1	1	1	1	1	1	1	
91	83-1712-923-00	Oil Mark 1.6	1	1	1	1	1	1	1	1	1	1	

*1)Interchangeable

Fig. 6 KNIFE COVER

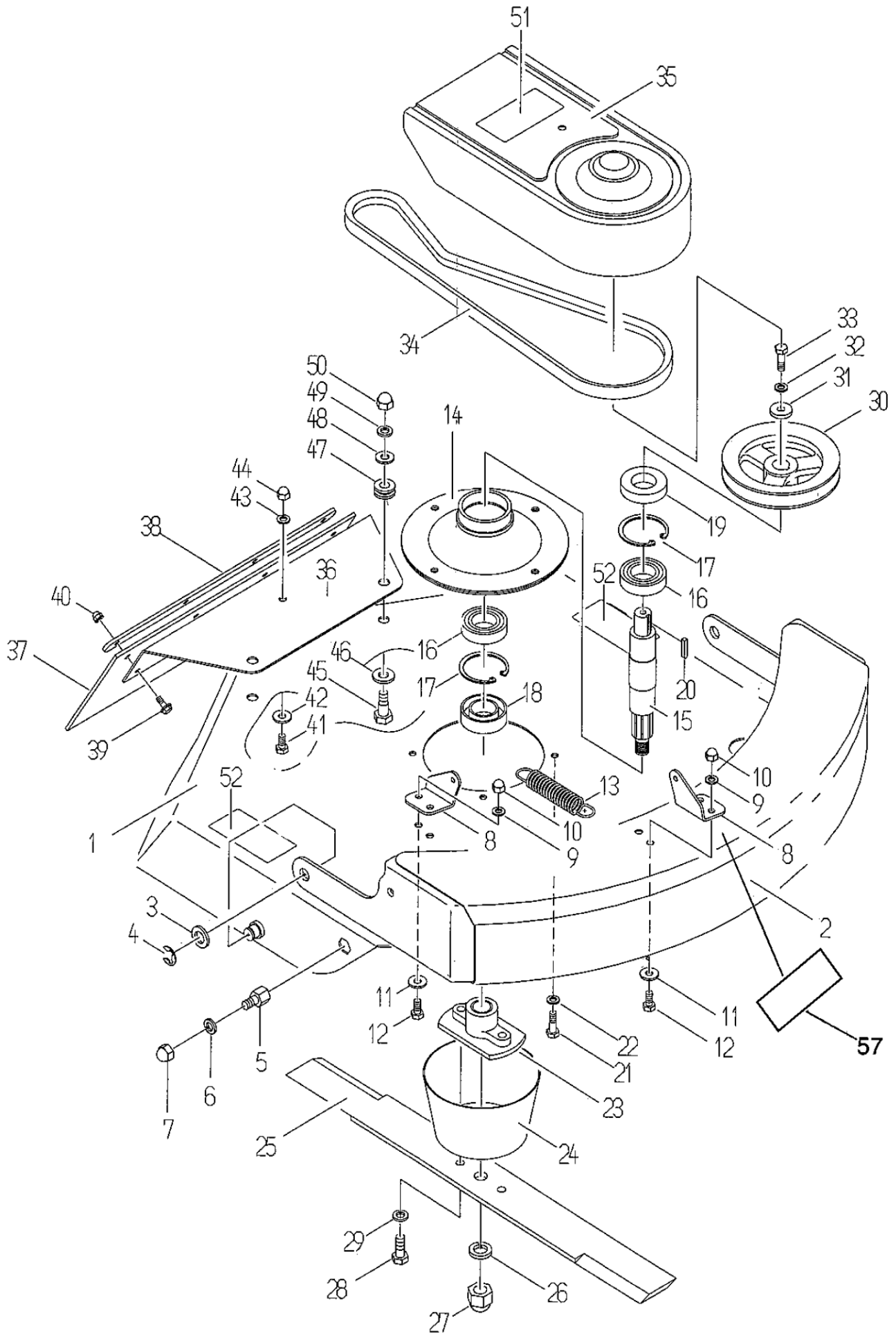


FIG. 6 Knife Cover

Ref.	Parts No.	Parts Name	Quantity										Remarks
			SH										
			61				61H				71	71H	
			FJ	FC	GXV	GXV	FJ	FC	GXV	GXV	GXV	GXV	
180V	180V	160	340	180V	180V	160	340	340	340				
1	0231-73100	Knife Cover CMP	1	1	1	1	1	1	1	1			
	0232-73100	Knife Cover CMP									1	1	
2	80-1417-733-00	Front Guard CMP	1	1	1	1	1	1	1	1			
	80-1437-733-00	Front Guard CMP									1	1	
3	83-1630-342-00	Washer 16*26*2.3	2	2	2	2	2	2	2	2	2	2	
4	89-2521-000120	E Type Ring 12	2	2	2	2	2	2	2	2	2	2	
5	80-1417-736-00	Bolt for Fixing Front Guard	2	2	2	2	2	2	2	2	2	2	
6	89-1750-100002	Spring Washer 10	2	2	2	2	2	2	2	2	2	2	
7	89-1571-100042	Nut M10	2	2	2	2	2	2	2	2	2	2	
8	80-1020-705-30	Lock Arm Bracket A	2	2	2	2	2	2	2	2	2	2	
9	89-1750-080002	Spring Washer 8	4	4	4	4	4	4	4	4	4	4	
10	89-1571-080042	Nut M8	4	4	4	4	4	4	4	4	4	4	
11	89-1714-080002	Flat Washer 8	4	4	4	4	4	4	4	4	4	4	
12	89-1113-080162	Hexagonal Bolt (8T) M8*16	4	4	4	4	4	4	4	4	4	4	
13	80-1417-735-00	Spring	1	1	1	1	1	1	1	1	1	1	
14	80-1417-601-00	Knife BB Case	1	1	1	1	1	1	1	1	1	1	
15	0231-64100	Knife Axle	1	1	1	1	1	1	1	1	1	1	
16	89-3115-060064	Bearing 6006 2RS	2	2	2	2	2	2	2	2	2	2	
17	89-2512-000550	Snap Ring 55	2	2	2	2	2	2	2	2	2	2	
18	83-1415-662-00	Oil Seal AP 35.55.8	1	1	1	1	1	1	1	1	1	1	
19	89-5121-305512	Oil Seal UE 30.55.12	1	1	1	1	1	1	1	1	1	1	
20	89-2151-050250	Key 5x25	1	1	1	1	1	1	1	1	1	1	
21	89-1113-080252	Hexagonal Bolt (8T) M8*25	4	4	4	4	4	4	4	4	4	4	
22	89-1750-080002	Spring Washer 8	4	4	4	4	4	4	4	4	4	4	
23	80-1415-733-00	Knife Bracket	1	1	1	1	1	1	1	1	1	1	
24	80-1415-836-00	Knife Neck Guard	1	1	1	1	1	1	1	1	1	1	
25	80-1415-821-00	Bar Knife	1	1	1	1	1	1	1	1			
	80-1445-821-00	Bar Knife									1	1	
26	89-1750-160002	Spring Washer 16	1	1	1	1	1	1	1	1	1	1	
27	89-1572-160042	Nut M16	1	1	1	1	1	1	1	1	1	1	
28	89-1113-100252	Hexagonal Bolt (8T) M10*25	2	2	2	2	2	2	2	2	2	2	
29	89-1750-100002	Spring Washer 10	2	2	2	2	2	2	2	2	2	2	
30	80-1415-571-00	Knife Pulley	1	1	1	1	1	1	1	1	1	1	
31	80-1020-312-00	Washer 8*30*3.2	1	1	1	1	1	1	1	1	1	1	
32	89-1750-080002	Spring Washer 8	1	1	1	1	1	1	1	1	1	1	
33	89-1113-080252	Hexagonal Bolt (8T) M8*25	1	1	1	1	1	1	1	1	1	1	
34	89-6123-004301	V Belt SB 43	1	1	1	1					1		
	89-6123-004501	V Belt SB 45					1	1	1	1		1	
35	0257-60500	Knife Pulley Cover	1	1	1	1	1	1	1	1	1	1	
36	0231-75100	Rear Guard	1	1	1	1	1	1	1	1			
	0232-75100	Rear Guard									1	1	
37	80-1417-781-10	Rear Flapper	1	1	1	1	1	1	1	1			
	80-1437-781-10	Rear Flapper									1	1	
38	80-1417-785-10	Supporter for Flapper	1	1	1	1	1	1	1	1			
	80-1437-785-10	Supporter for Flapper									1	1	
39	89-1132-060162	Hexagonal Bolt (SW) M6*16	4	4	4	4	4	4	4	4	4	4	
40	83-1575-189-00	Nut M6	4	4	4	4	4	4	4	4	4	4	
41	89-1113-080162	Hexagonal Bolt (8T) M8*16	1	1	1	1	1	1	1	1	1	1	
42	89-1714-080002	Flat Washer 8	1	1	1	1	1	1	1	1	1	1	
43	89-1750-080002	Spring Washer 8	1	1	1	1	1	1	1	1	1	1	
44	89-1571-080042	Nut M8	1	1	1	1	1	1	1	1	1	1	

FIG. 6 Knife Cover

Ref.	Parts No.	Parts Name	Quantity								Remarks		
			SH										
			61				61H					71	71H
			FJ	FC	GXV	GXV	FJ	FC	GXV	GXV		GXV	GXV
180V	180V	160	340	180V	180V	160	340	340	340				
45	80-1450-709-00	Bolt for Attaching Stay	4	4	4	4	4	4	4	4	4	4	
46	89-1714-120002	Flat Washer 12	4	4	4	4	4	4	4	4	4	4	
47	80-1450-719-00	Grommet	4	4	4	4	4	4	4	4	4	4	
48	89-1714-100002	Flat Washer 10	4	4	4	4	4	4	4	4	4	4	
49	89-1750-100002	Spring Washer 10	4	4	4	4	4	4	4	4	4	4	
50	89-1571-100042	Nut M10	4	4	4	4	4	4	4	4	4	4	
51	80-1488-928-10	Label, Caution for Belt Involving	1	1	1	1	1	1	1	1	1	1	
52	80-1488-926-10	Attention Mark for Blade	2	2	2	2	2	2	2	2	2	2	
57	0203-71100	Label, Main (Shuttle Mower)	1	1	1	1	1	1	1	1	1	1	

*1)Interchangeable

FIG. 7 Front Wheel

Ref.	Parts No.	Parts Name	Quantity								Remarks		
			SH										
			61				61H					71	71H
			FJ	FC	GXV	GXV	FJ	FC	GXV	GXV		GXV	GXV
180V	180V	160	340	180V	180V	160	340	340	340				
1	80-1417-723-00	Front Wheel Arm	1	1	1	1	1	1	1				
	80-1437-723-00	Front Wheel Arm								1	1		
2	80-1614-725-20	Front Wheel Fork	1	1	1	1	1	1	1	1	1	1	
3	89-3370-051105	Thrust Bearing 51105	1	1	1	1	1	1	1	1	1	1	
4	83-1783-376-00	Washer 25*34*1.0	1	1	1	1	1	1	1	1	1	1	
5	84-1783-729-00	Dust Cover	1	1	1	1	1	1	1	1	1	1	
6	89-1750-140002	Spring Washer 14	1	1	1	1	1	1	1	1	1	1	
7	84-1783-791-00	Nipple Bolt	1	1	1	1	1	1	1	1	1	1	
8	83-1415-975-00	Grease Nipple M6	1	1	1	1	1	1	1	1	1	1	
9	80-1614-727-00	Front Wheel	1	1	1	1	1	1	1	1	1	1	
10	89-1211-100952	Mini Hexagonal Bolt M10*95	1	1	1	1	1	1	1	1	1	1	
11	80-1614-726-00	Front Wheel Collar	1	1	1	1	1	1	1	1	1	1	
12	89-1543-100002	Mini Hexagonal Nut(SW) M10	1	1	1	1	1	1	1	1	1	1	
14	80-1417-742-00	Receiver for Adjusting Bolt (R)	1	1	1	1	1	1	1	1	1	1	
	0231-74200	Receiver for Adjusting Bolt (R)	1	1	1	1	1	1	1	1	1	1 *1)	
15	80-1415-743-00	Cutting Height Adjustment Bolt	1	1	1	1	1	1	1	1	1	1	
16	89-1511-160042	Hexagonal Nut M16	1	1	1	1	1	1	1	1	1	1	
17	80-1415-741-00	Receiver for Adjusting Bolt (L)	1	1	1	1	1	1	1	1	1	1	
	0212-74100	Receiver for Adjusting Bolt (L)	1	1	1	1	1	1	1	1	1	1 *1)	
18	89-1111-120602	Hexagonal Bolt M12*60	2	2	2	2	2	2	2	2	2	2	
19	89-1551-120002	U-Type Nut M12	3	3	3	3	3	3	3	3	3	3	
20	89-1111-120852	Hexagonal Bolt M12*85	1	1	1	1	1	1	1	1	1	1	
21	0231-74300	Cutting Height Adjustment Colla	2	2	2	2	2	2	2	2	2	2	

FIG. 7 Brake Set

Ref.	Parts No.	Parts Name	Quantity								Remarks		
			SH										
			61				61H					71	71H
			FJ	FC	GXV	GXV	FJ	FC	GXV	GXV		GXV	GXV
180V	180V	160	340	180V	180V	160	340	340	340				
1	83-1417-938-10	Parking Brake Wire	1	1	1	1	1	1	1	1	1	1	
2	80-1614-315-00	Spring	1	1	1	1	1	1	1	1	1	1	
3	83-1182-455-00	Lever 2301	1	1	1	1	1	1	1	1	1	1	
4	80-1030-288-00	Packing (Large)	1	1	1	1	1	1	1	1	1	1	
	0207-04100	Packing (Large)	1	1	1	1	1	1	1	1	1	1 *1)	
5	80-1030-282-00	Brake Durm	1	1	1	1	1	1	1	1	1	1	
6	89-2511-000150	Snap Ring (S15)	1	1	1	1	1	1	1	1	1	1	
7	80-1030-284-00	Brake Shoe	1	1	1	1	1	1	1	1	1	1	
8	80-1030-271-00	Brake Cap Assy	1	1	1	1	1	1	1	1	1	1	
4~8	80-1575-280-00	Brake Assy											
9	85-1417-291-10	Receiver for Brake Wire	1	1	1	1	1	1	1	1	1	1	
10	83-1035-148-00	Tap Tight M6*18	2	2	2	2	2	2	2	2	2	2	
11	83-1020-148-00	Tap Tight M6*14	2	2	2	2	2	2	2	2	2	2	